

TANKSALOT TANK RESTRAINT FIXINGS STANDARD DETAILS

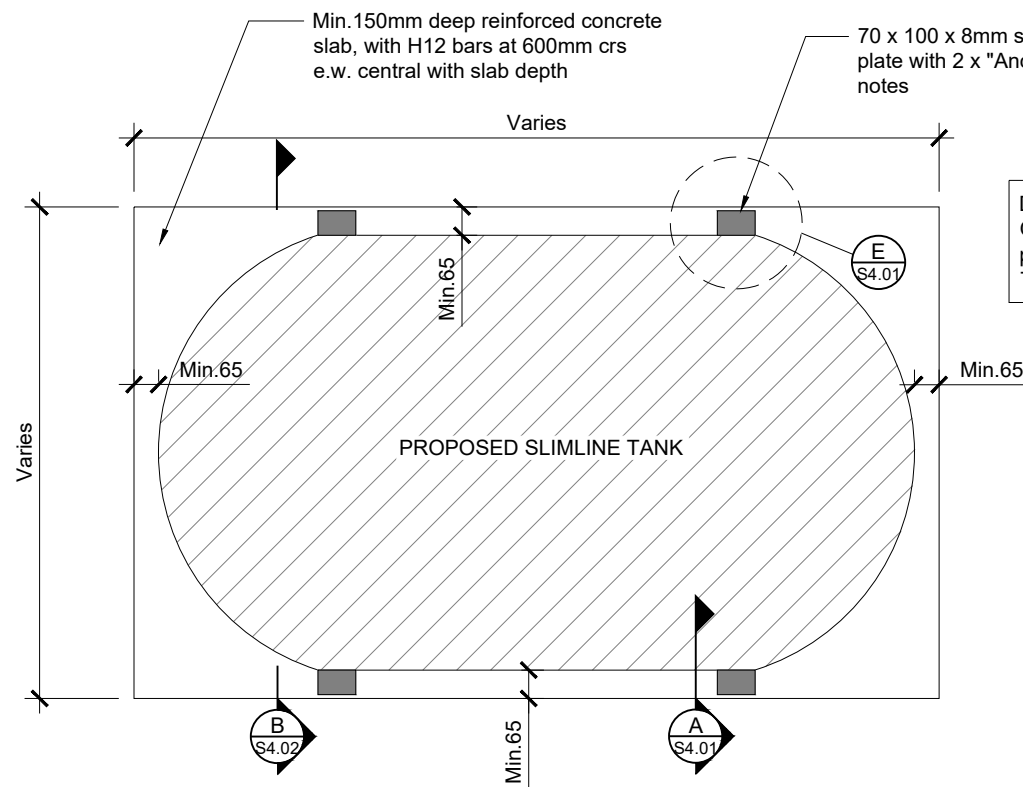
STRUCTURAL DRAWING LIST

Job No A23113

		DATE	JUN 23	JUN 23	JUN 23	JUL 23	AUG 23	MAR 24	JUN 24
REVISION NO:		1	2	3	4	5	6	7	
DWG No:	TITLE								
S3.01	FOUNDATION DETAILS	1	1	2	2	3	4	4	
S3.02	FOUNDATION DETAILS	1	1	2	2	3	4	4	
S4.01	DETAILS	1	2	2	3	4	5	5	
S4.02	DETAILS	1	1	1	1	1	1	2	

NOTES: (FOR DETAIL 001, 002, 005)

- Precise position of clamping plates may be adjusted accordingly. Minimum anchor edge distances must be achieved.
- Slab to bear on minimum Geotechnical Ultimate Bearing Capacity = 100kPa
- Steel plates and fixings shall be Grade 300
- Concrete 28-day compressive strength shall be minimum 20MPa
- All steel plates and fixings shall have minimum HDG390 galvanising as per Table 6.2 AS/NZS 2312.2:2014 (55µm DFT)



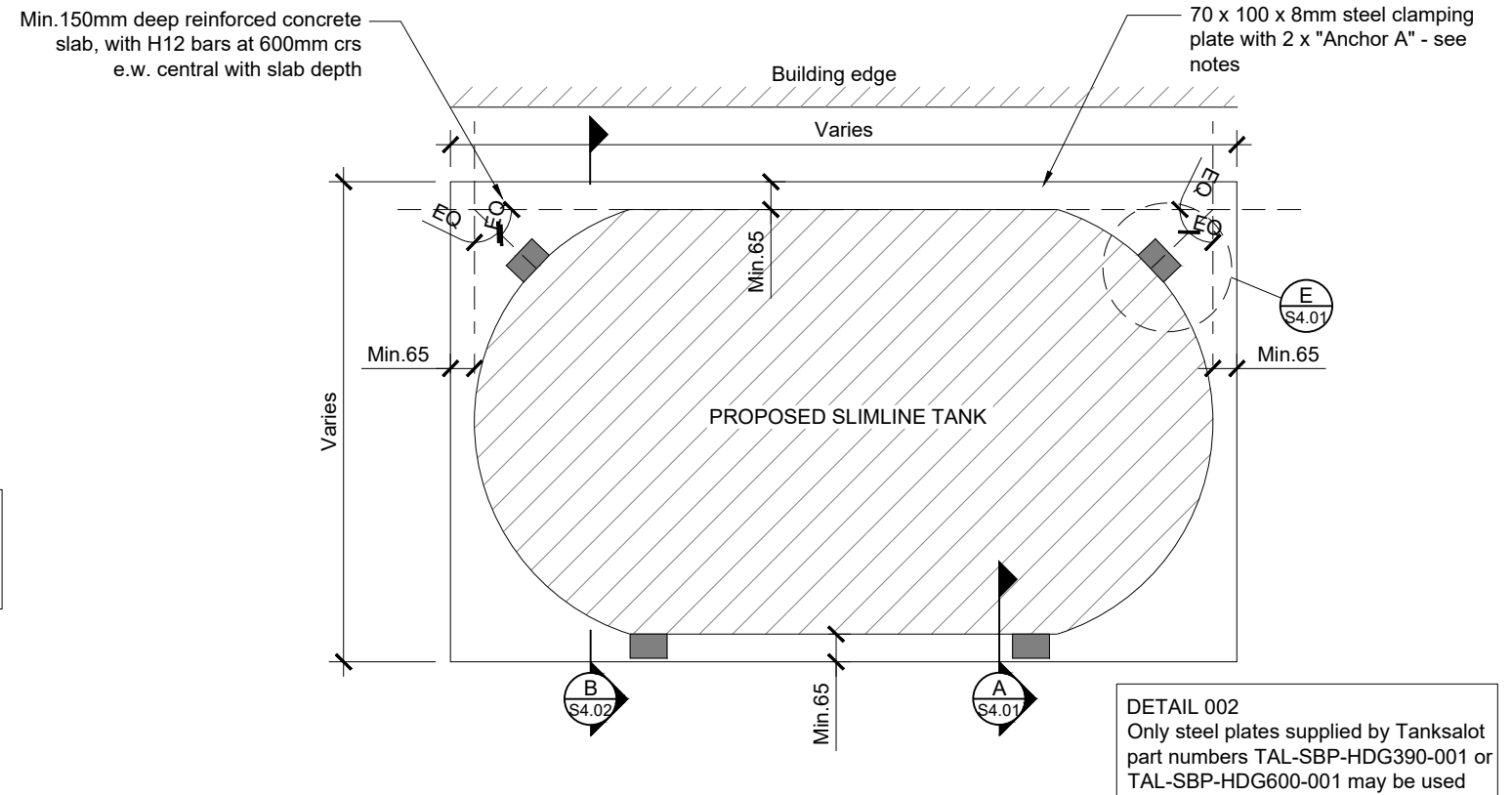
001 TANK SUPPORT DETAIL (STANDALONE)
SCALE 1:20

Anchor fixing notes:

"Anchor A" - May consist of either the following:

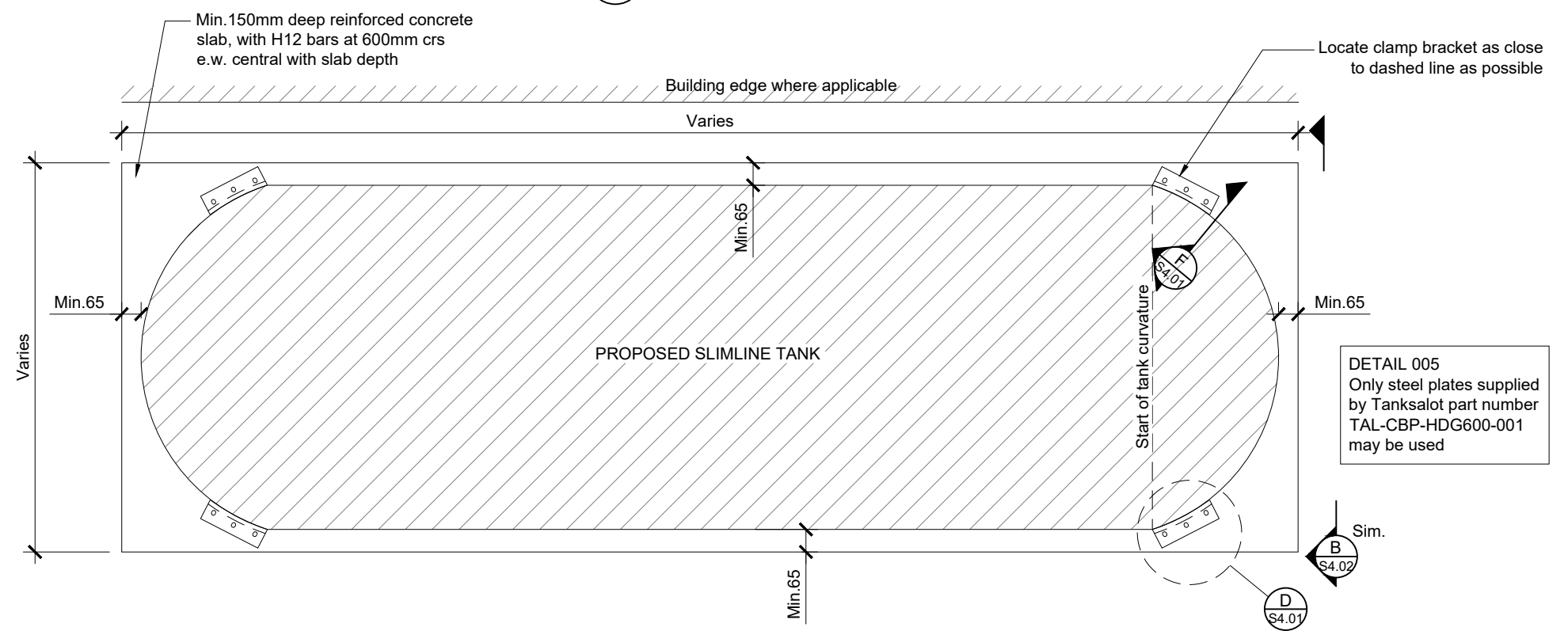
- 1) GFC M10 Structa 6 Seismic concrete screw with M12 x 3mm washer, min. 85mm slab embedment
- 2) Wurth W-FAZ PRO/S M12 concrete anchor with min. 70mm slab embedment
- 3) Hilti HST3 M12 anchor with min. 60mm slab embedment

DETAIL 001
Only steel plates supplied by Tanksalot part numbers TAL-SBP-HDG390-001 or TAL-SBP-HDG600-001 may be used



002 TANK SUPPORT DETAIL (ADJACENT TO BUILDING)
SCALE 1:20

DETAIL 002
Only steel plates supplied by Tanksalot part numbers TAL-SBP-HDG390-001 or TAL-SBP-HDG600-001 may be used



005 10000L TANK SUPPORT DETAIL
SCALE 1:20

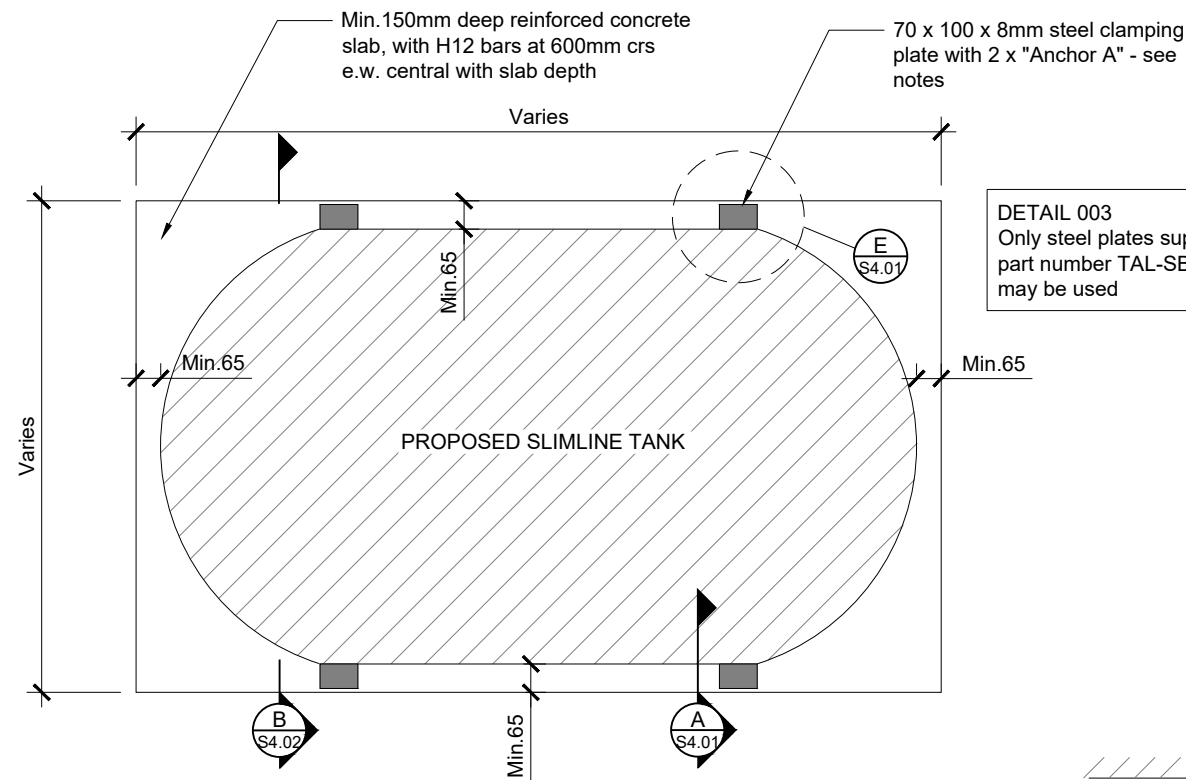
DETAIL 005
Only steel plates supplied by Tanksalot part number TAL-CBP-HDG600-001 may be used

THIS DRAWING IS TO BE READ IN CONJUNCTION WITH ARCHITECT'S DRAWINGS

REV NO.	REVISION	DATE	APPROVED	PROJECT NO.	SCALE	DESIGNED	DRAWN	SHEET NO.
1.	FOR CONSTRUCTION	JUN 2023	NB	A23113	1:20	EN	AR	S3.01
2.	FOR CONSTRUCTION	JUN 2023	NB	REV NO. 4				
3.	FOR CONSTRUCTION	AUG 2023	NB					
4.	FOR CONSTRUCTION	MAR 2024	NB					

NOTES: (FOR DETAIL 003, 004, 006)

- Precise position of clamping plates may be adjusted accordingly. Minimum anchor edge distances must be achieved.
- Slab to bear on minimum Geotechnical Ultimate Bearing Capacity = 100kPa
- Concrete 28-day compressive strength shall be minimum 25MPa
- All steel plates and fixings shall have minimum HDG600 galvanising as per Table 6.2 AS/NZS 2312.2:2014 ((85µm DFT)



DETAIL 003
Only steel plates supplied by Tanksalot part number TAL-SBP-HDG600-001 may be used

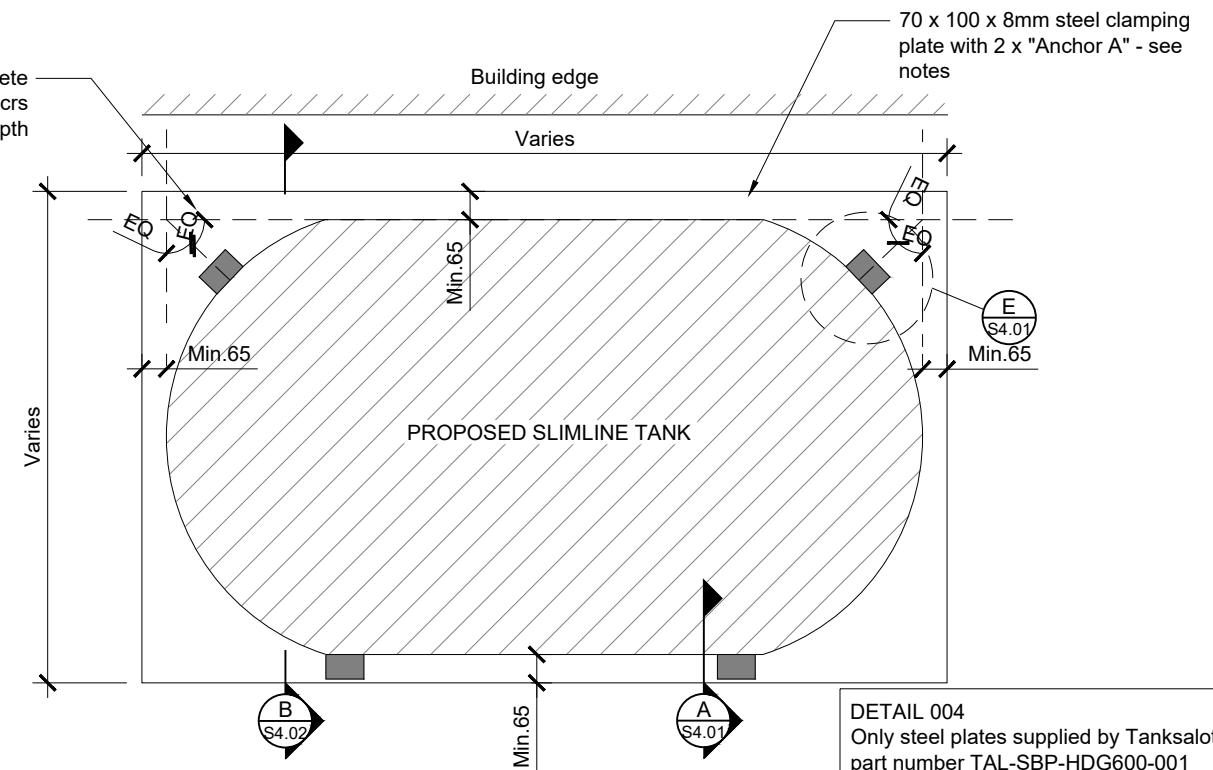
003 TANK SUPPORT DETAIL (STANDALONE)
SCALE 1:20

Anchor fixing notes:

"Anchor A" - May consist of either the following:

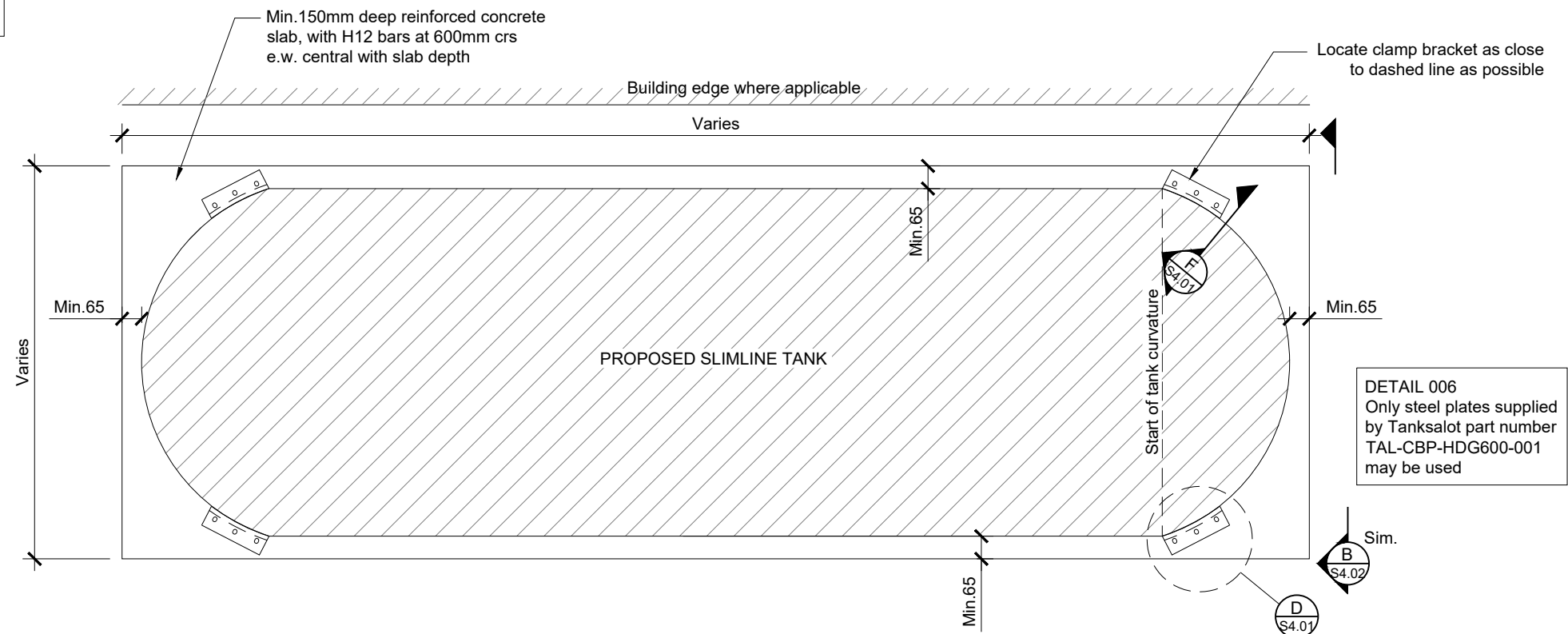
- 1) GFC M10 Structa 6 Seismic concrete screw with M12 x 3mm washer, min. 85mm slab embedment
- 2) Wurth W-FAZ PRO/S M12 concrete anchor with min. 70mm slab embedment
- 3) Hilti HST3 M12 anchor with min. 60mm slab embedment

Min. 150mm deep reinforced concrete slab, with H12 bars at 600mm crs e.w. central with slab depth



DETAIL 004
Only steel plates supplied by Tanksalot part number TAL-SBP-HDG600-001 may be used

004 TANK SUPPORT DETAIL (ADJACENT TO BUILDING)
SCALE 1:20

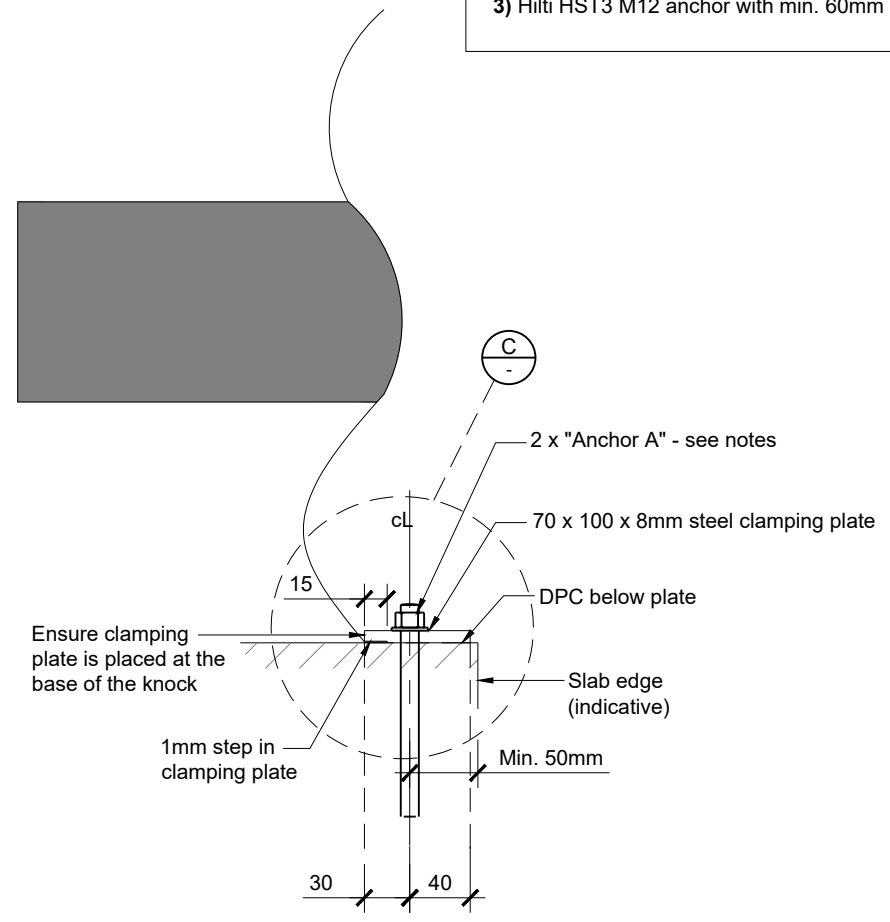


DETAIL 006
Only steel plates supplied by Tanksalot part number TAL-CBP-HDG600-001 may be used

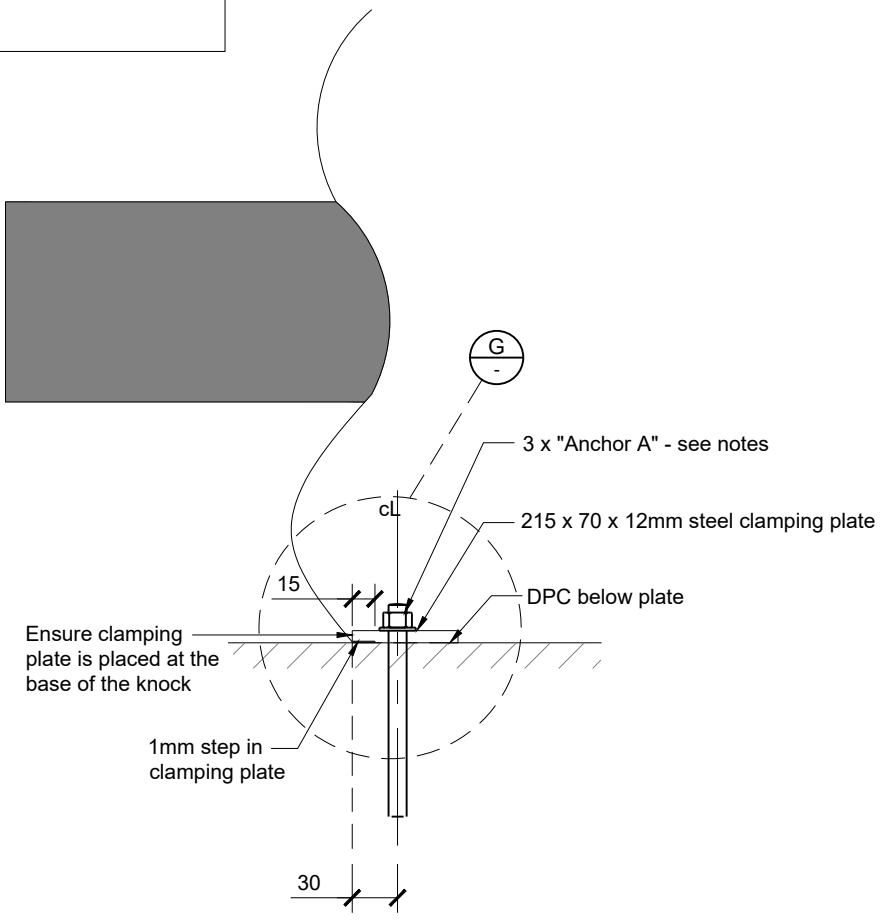
006 10000L TANK SUPPORT DETAIL
SCALE 1:20

THIS DRAWING IS TO BE READ IN CONJUNCTION WITH ARCHITECT'S DRAWINGS

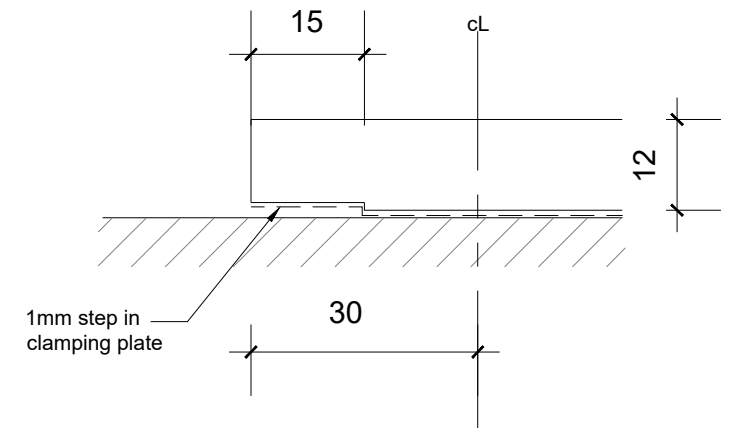
Anchor fixing notes:
 "Anchor A" - May consist of either the following:
 1) GFC M10 Structa 6 Seismic concrete screw with M12 x 3mm washer, min. 85mm slab embedment
 2) Wurth W-FAZ PRO/S M12 concrete anchor with min. 70mm slab embedment
 3) Hilti HST3 M12 anchor with min. 60mm slab embedment



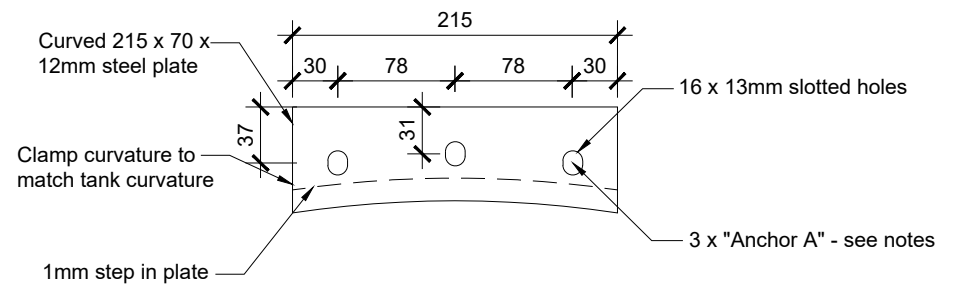
A TANK HOLD - DOWN DETAIL
 S3.01 SCALE 1:5



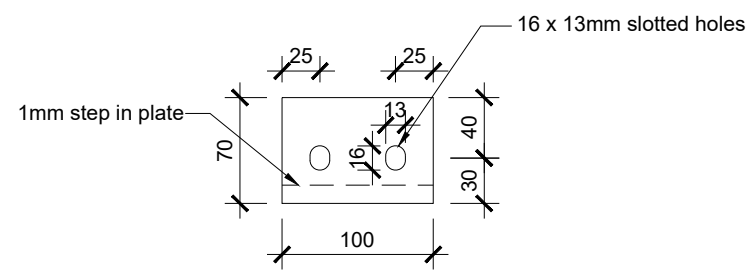
F TANK HOLD - DOWN DETAIL
 S3.01 SCALE 1:5



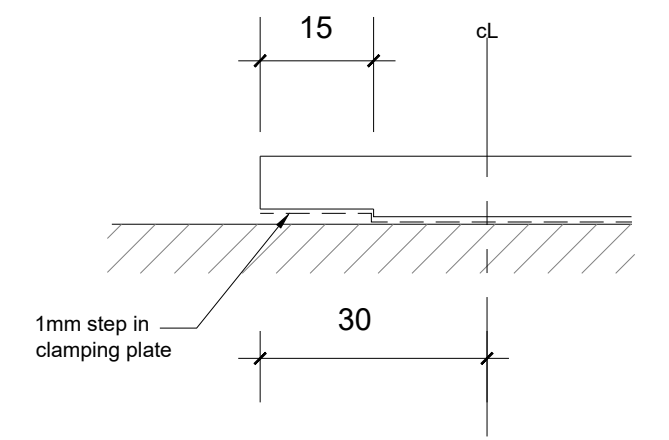
G CLAMPING PLATE DETAIL
 SCALE 1:1



D PLATE PLAN DETAIL
 S3.01 SCALE 1:5



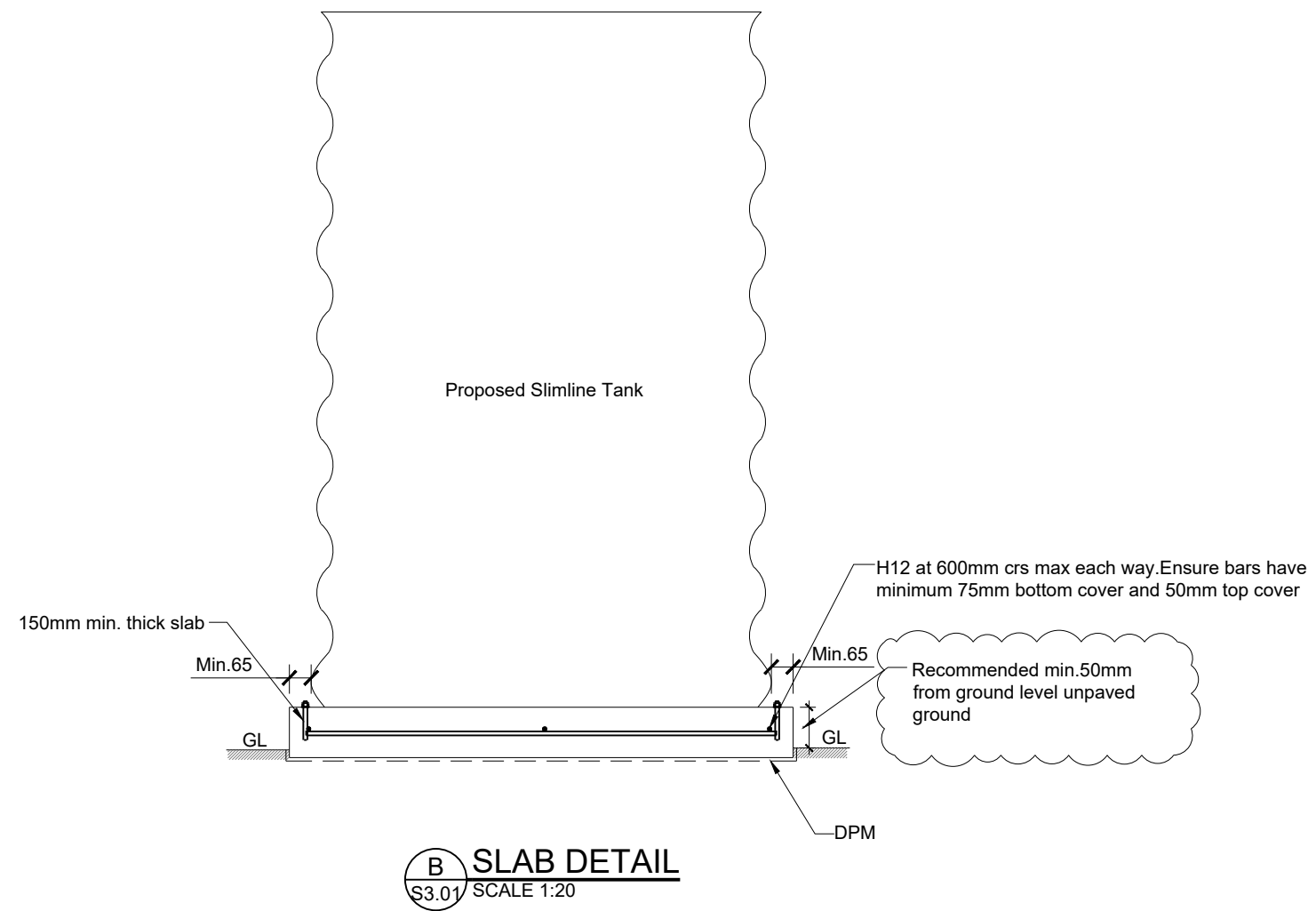
E PLATE PLAN DETAIL
 S3.01 SCALE 1:5



C CLAMPING PLATE DETAIL
 SCALE 1:1

THIS DRAWING IS TO BE READ IN CONJUNCTION WITH ARCHITECT'S DRAWINGS

REV NO.	REVISION	DATE	APPROVED	PROJECT NO.	SCALE @ A3	DESIGNED	DRAWN	SHEET NO.
2.	FOR CONSTRUCTION	JUN 2023	NB	A23113	1:5	EN	AR	S4.01
3.	FOR CONSTRUCTION	JUL 2023	NB					
4.	FOR CONSTRUCTION	AUG 2023	NB					
5.	FOR CONSTRUCTION	MAR 2024	NB					
				REV NO. 5				



THIS DRAWING IS TO BE READ IN CONJUNCTION WITH ARCHITECT'S DRAWINGS

REV NO.	REVISION	DATE	APPROVED	PROJECT NO. A23113	DESIGNED EN
1.	FOR CONSTRUCTION	JUN 2023	NB	SCALE @ A3 1:10	DRAWN AR
2.	FOR CONSTRUCTION	JUN 2024	NB	REV NO. 2	SHEET NO. S4.02