

RAIN HARVESTING
by Blue Mountain Co

Tank Screen Covers



Installation and Specification Guide

PRODUCT DETAILS

Prevent algae growth by keeping sunlight out of your tank without interrupting the flow of rainwater.

Code	Size	Country
TASS23	300mm	
TASS21	400mm	Global
TASS22	500mm	

Installation

WHAT'S IN THE BOX?

- Tank Screen Cover

TOOLS/MATERIALS YOU MAY REQUIRE

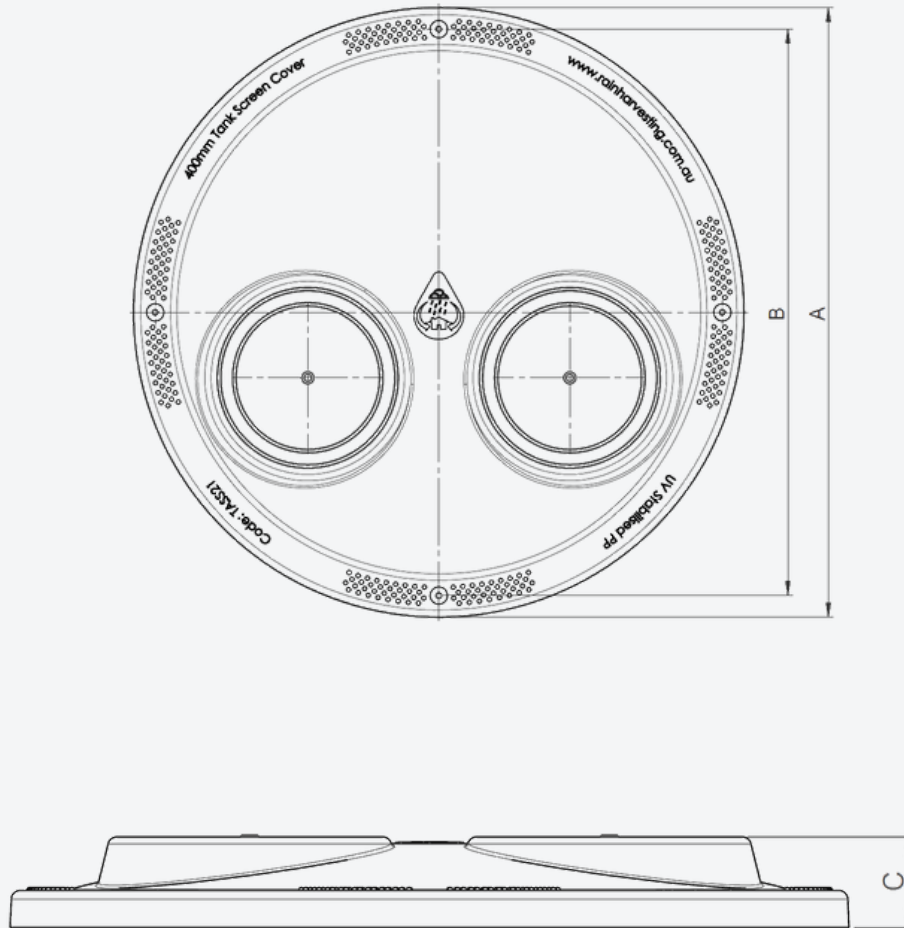
- Elbow (optional)
- Tin snips or hole saw

TANK SCREEN COVER

- 1 - If necessary, install an elbow so that the pipes feeding your tank are angled down towards the tank screen cover.
- 2 - Using the provided cutting guidelines and tin snips or a hole saw, cut a hole (or holes) in your Tank Screen Cover to fit the pipe/s and/or elbow/s feeding your tank.
- 3 - Lift the pipe/s and/or elbow/s and maneuver the Tank Screen Cover into place over your tank screen.
- 4 - Push the pipe/s and/or elbow/s through the cut holes to maintain a sunproof barrier over the tank screen cover and ensure all water flows through to the screen.

Product Specifications

Tank Screen Covers



Country	Code	A	B	C	Suits Tank Screens
Global	TASS23	334	303	39	300
		13.1"	11.9"	1.5"	12"
	TASS21	420	390	45	400mm
		16.5"	15.4"	1.8"	16"
	TASS22	513	482	45	500mm
		20.2"	19"	1.8"	20"

All dimensions are in mm unless otherwise stated.

Maintenance

When properly installed, your Tank Screen Cover should be maintenance-free. However, we recommend lifting it up occasionally to inspect and maintain the Tank Screen beneath it.

Alternatively, you may wish to consider installing a Maelstrom Filter rather than using a Tank Screen and Tank Cover.



A common misconception about collecting rainwater is that all you need is a roof, a tank and some rain. This 'tanking' approach cannot always be relied on to deliver the volume – or quality – of water that you require. That is where we can help.

With some thought, your rain harvesting system can provide you with cleaner water and lots of it. Whether you're completely reliant on tank water or wanting to keep the garden green, our simple steps will help you achieve your goal.

The Rain Harvesting approach to rainwater collection involves using tested and proven products to make quality rainwater available for use in and around your property. You don't need much to get started and you will be surprised how easy it is to get the most out of your rainwater system.

[How can we help you?](#)

COMPLIANCE

- AS/NZS 4020:2005 - AS/NZS 4020:2005 - Testing of products for use in contact with drinking water

DISCLAIMER This product specification is not a complete guide to product usage. Further information is available from Rain Harvesting Pty Ltd and from the installation and Operating instructions. This specification sheet must be read in conjunction with the installation and Operating Instructions and all applicable statutory requirement. Product specifications may change without notice. © Rain Harvesting Pty Ltd

RAIN HARVESTING

by Blue Mountain Co

For more information or to find out
how we can help, just give us a call on

+61 7 3248 9600

Or visit our website at

rainharvesting.com