

Step 1.
Locate the tank onto the slab ensuring that the tank is central with a minimum of 65mm to the edge of the slab as per Fig 1.

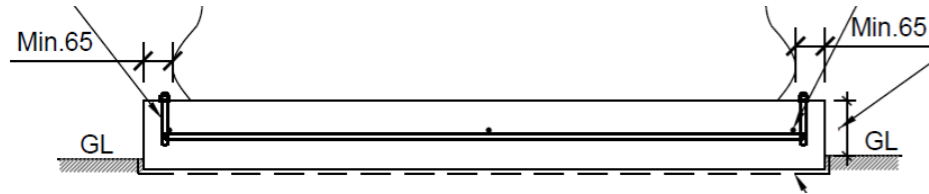
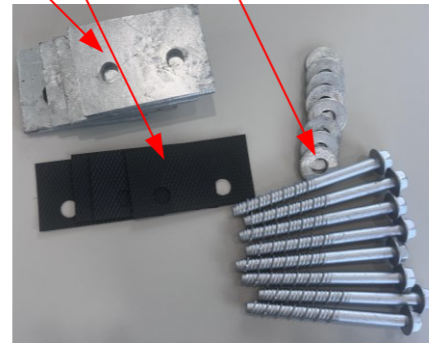


Fig 1. Tank location



Tank Bracing Kit – Screw Anchors

Step 2.
Locate the “Tank Bracing Kit” which contains: Plates, DPC, Anchor Screws & Washers



Kit Contents

Step 3.
Place the plates to the tank as per Fig 2. with the plates closest to the wall are at a 45 degree position

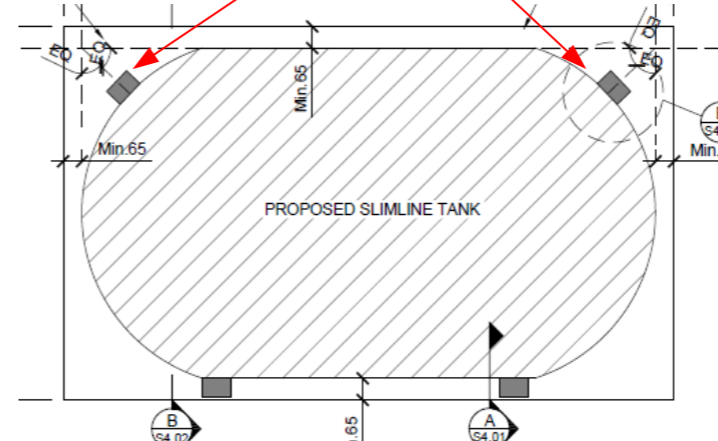


Fig 2. Plate Location (Adjacent to Building)

Step 4.
Place the plates over the base of the tank with the 1mm step clamping over the rolled edge. Refer Fig 3.

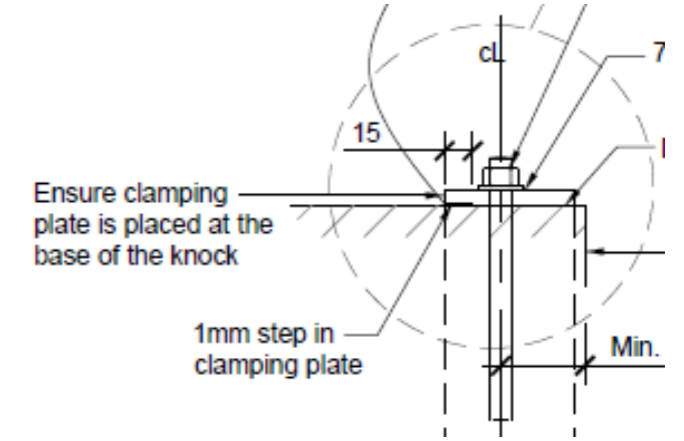


Fig 3. Plate over the rolled edge

Step 5.
With a 10mm masonry bit and hammer drill, mark the 1st hole location into the concrete. Remove the plate and complete the drilling of the hole to a depth of 120mm.
Note – Slightly angle the drill so the chuck does not rub on the wall of the tank. Refer Fig 4.

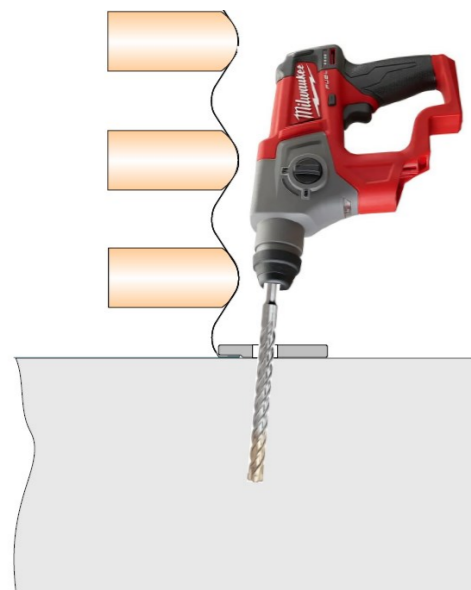


Fig 4. Angle the drill

Step 6.
Relocate the plate with the DPC as per Fig 5, over the base of the tank and locate the screw into the drill hole with a hammer. Tighten the screw with a socket ensuring the plate does not twist during this operation. Drill the 2nd hole whilst the plate is in place again with the drill on a slight angle

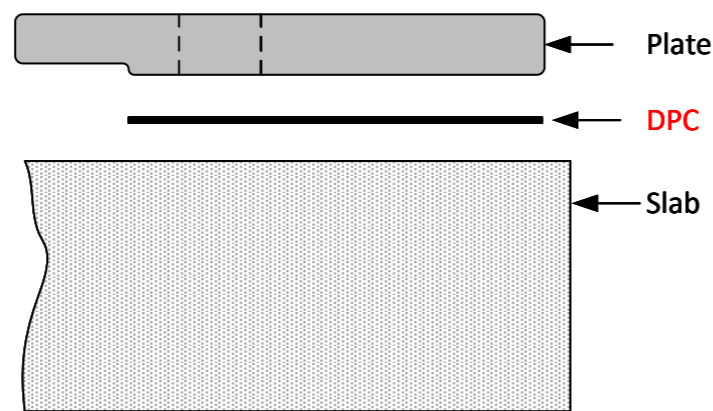


Fig 5. Layup showing DPC placement

Step 7.
Locate the 2nd anchor bolt into the drill hole with a hammer. Tighten the screw with a socket. Refer Fig 6.

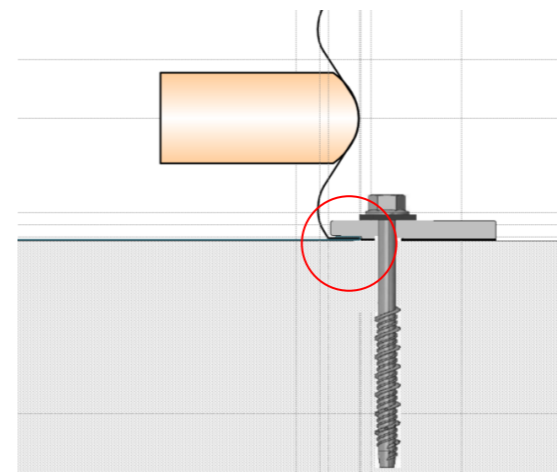


Fig 6.

Step 8.
Check and confirm that the plate is sitting over the rolled edge as per Fig 7.

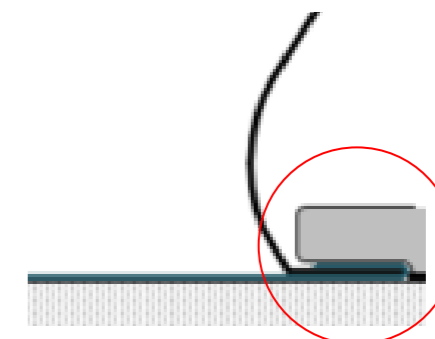


Fig 7. Plate over rolled edge

Step 9.
Repeat the process for the remaining plates